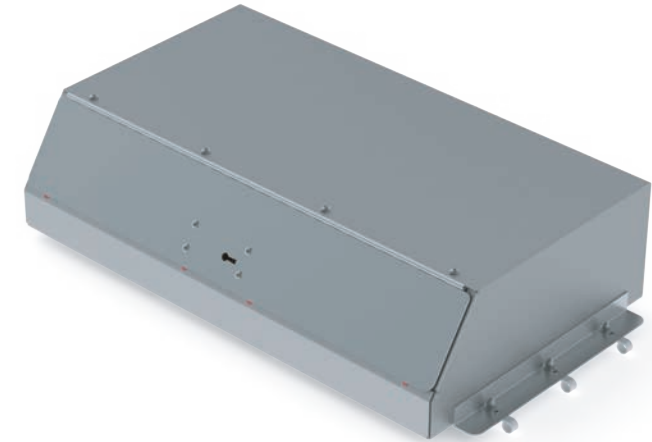


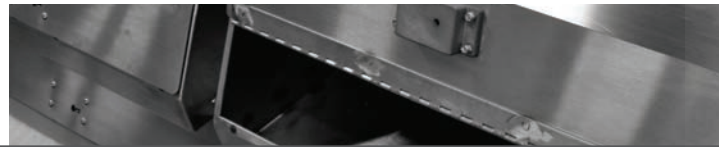


RailPlan

Emergency Water Enclosure



Engineered Products



Top Features

- Modular Design
- Passenger + Crew Accessible
- Buy America Compliant
- Adaptable
- Lockable

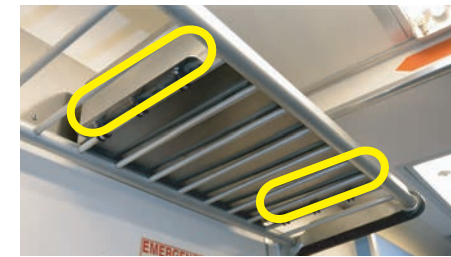
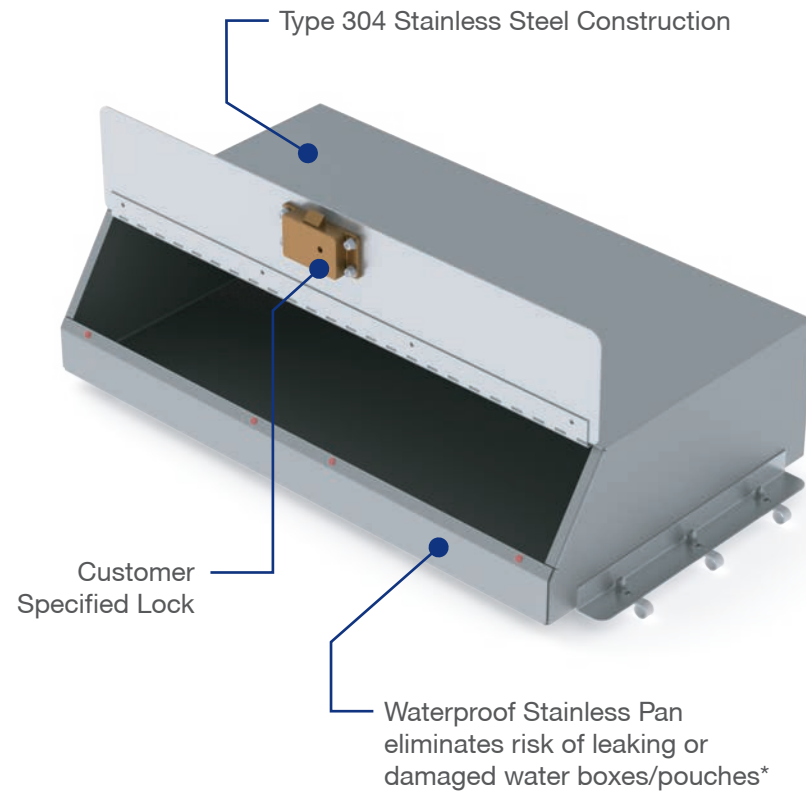
Application

- Commuter / Regional
- Long Distance

Use in all car types in/on:

- Overhead luggage racks
- Luggage Towers
- Equipment Lockers

RailPlan Water Enclosures offer the highest quality product down to every component, providing the best solution for emergency applications



Mounting

Adaptable mounting allows for wide range of installation options (Clamp to overhead rack shown)

Capacity

*sold separately

Total Enclosure Volume:
1,132 FL OZ. (33,482 mL)



Water Pouch*



Water Box*

OR

Single:
4.227 FL OZ.
(125 mL)

Single:
6.75 FL OZ.
(200 mL)

260 Max.

120 Max.

railplan.com